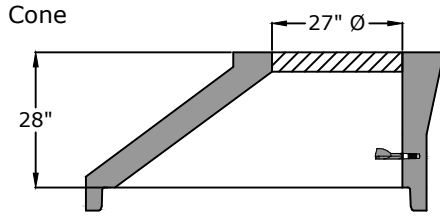
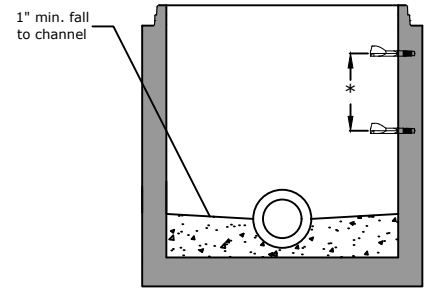


Side View

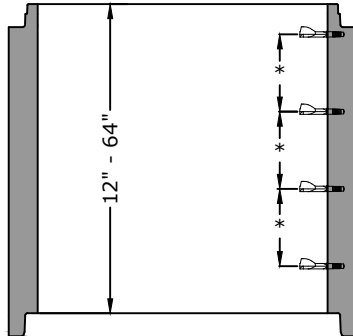


Cone
28" - 3,600 lb



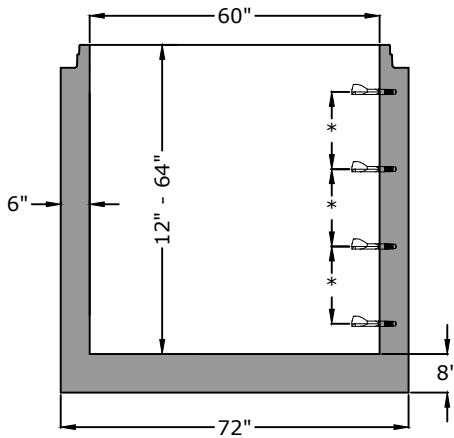
Manhole Base Preformed Invert Detail

Riser



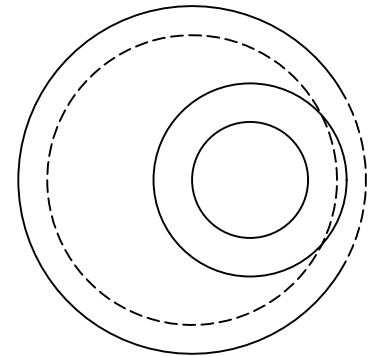
Riser Weights
12" - 1,300 lb
16" - 1,750 lb
24" - 2,600 lb
32" - 3,450 lb
36" - 3,900 lb
48" - 5,200 lb
60" - 6,500 lb
64" - 6,900 lb

Monolithic base



Base Weights
12" - 4,150 lb
16" - 4,500 lb
24" - 5,450 lb
32" - 6,300 lb
48" - 8,000 lb
60" - 9,300 lb
64" - 9,750 lb
71" - 10,500 lb

Top View



Joint

Approved for Production

Project: _____

Date: _____

Quantity: _____

By: _____

Drawn by: Eric Barger

Date: 08.222024

Concrete: 5,000 psi minimum 28 day compressive strength
Reinforcing: Per ASTM C478 with design calculations performed by a Licensed P.E. Minimum 2" cover of all reinforcing steel.
Pipe Penetrations: All pipe penetrations are placed according to job requirements.
Pipe Seals: All pipe boots will meet ASTM C 923.
Sealant: Sealant used will meet ASTM C 990.
Steps: On 16" centers unless otherwise specified.
Preformed Invert: As required by plans or governing specifications.

BARGER PRECAST

P.O. Box 370 - Kingston TN 37763
Phone 888.882.5860 - BargerPrecast.com

**60" I.D. Manhole Eccentric
ASTM C-478 Compliant**