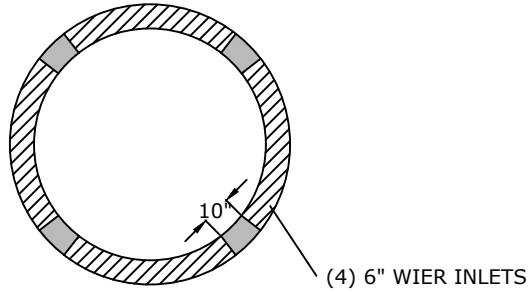
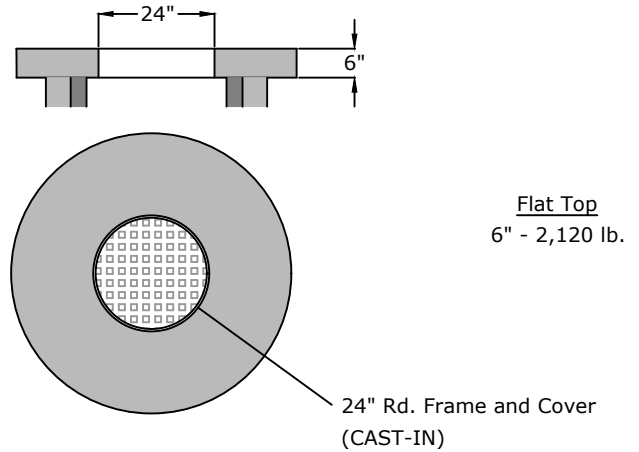


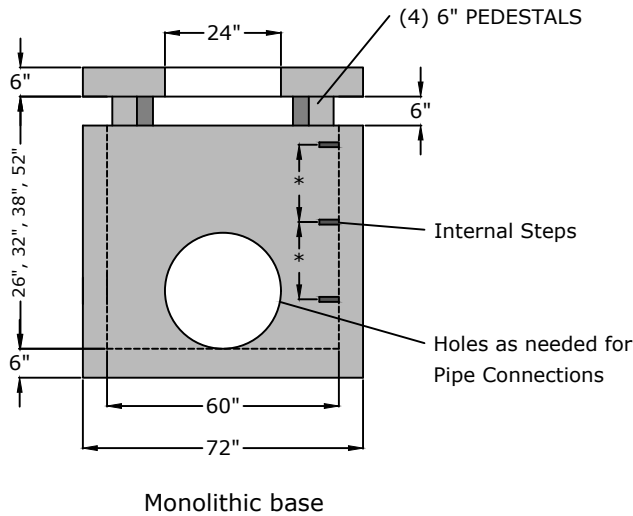
Top View



Flat Top



Side View



Approved for Production

Project: _____

Date: _____

Quantity: _____

By: _____

Drawn by: Eric Barger

Date: 08.222024

Specifications

- Concrete:** 4,500 psi minimum 28 day compressive strength
- Reinforcing:** Per ASTM C478 with design calculations performed by a Licensed P.E. Minimum 2" cover of all reinforcing steel.
- Pipe Penetrations:** All pipe penetrations are placed according to job requirements.
- Pipe Sealant:** Pipes to be sealed into structure with grout.
- Sealant:** Sealant used will meet ASTM C923.
- Steps:** On 16" centers unless otherwise specified.

**BARGER
PRECAST**

P.O. Box 370 - Kingston TN 37763
Phone 888.882.5860 - BargerPrecast.com

**60" I.D. Drop Inlet
ASTM C-478 Compliant**