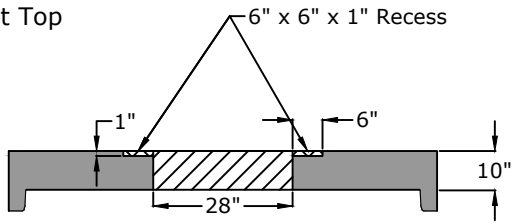


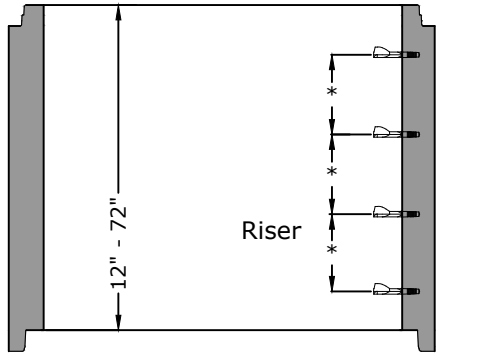
# Side View

Flat Top

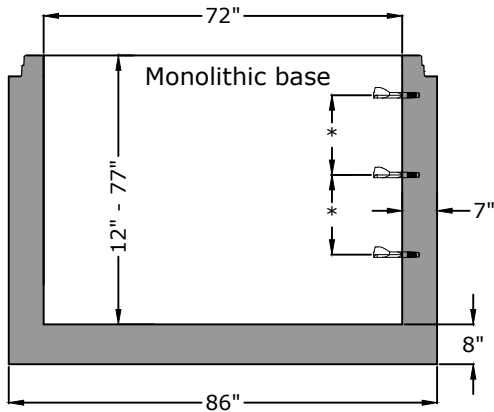


Flat Top  
10" - 5,000 lb.

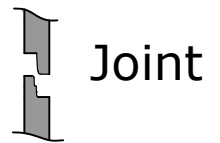
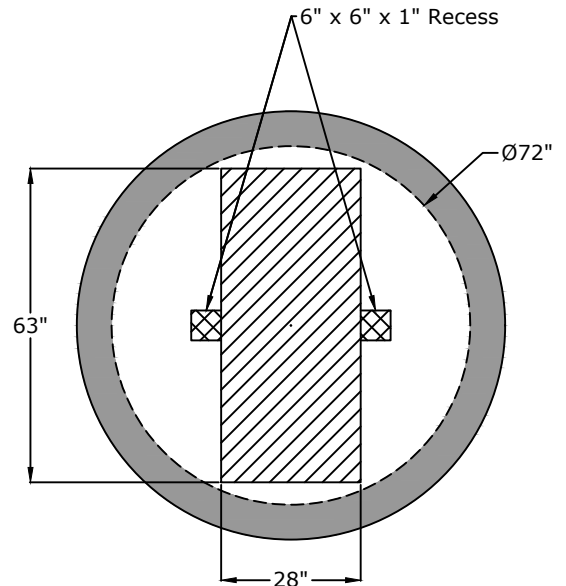
# Top View



Riser Weights  
36" - 5,400 lb.  
48" - 7,200 lb.  
60" - 9,000 lb.  
72" - 10,800 lb.



Base Weights  
36" - 9,350 lb.  
48" - 11,150 lb.  
60" - 13,000 lb.  
72" - 14,700 lb.  
77" - 15,500 lb.



Joint

## Approved for Production

Project: \_\_\_\_\_ Date: \_\_\_\_\_

Quantity: \_\_\_\_\_ By: \_\_\_\_\_

Drawn by: Eric Barger

Date: 08.012024

**Concrete:** 5,000 psi minimum 28 day compressive strength  
**Reinforcing:** Per ASTM C478 with design calculations performed by a Licensed P.E. Minimum 2" cover of all reinforcing steel.  
**Pipe Penetrations:** All pipe penetrations are placed according to job requirements.  
**Pipe Seals:** All pipe boots will meet ASTM C 923.  
**Sealant:** Sealant used will meet ASTM C 990.  
**Steps:** On 16" centers unless otherwise specified.  
**Preformed Invert:** As required by plans or governing specifications.

# BARGER PRECAST

P.O. Box 370 - Kingston TN 37763  
Phone 888.882.5860 - BargerPrecast.com

**72" I.D. Manhole**  
**ASTM C-478 Compliant**