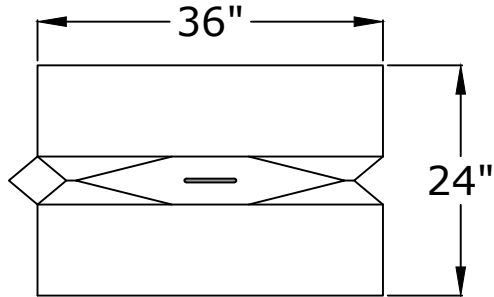
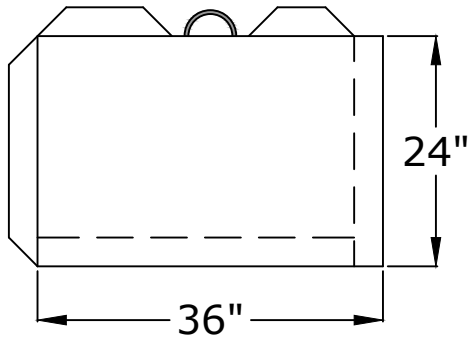


Top View



Side View



**Approved for Production**

Project: \_\_\_\_\_

Date: \_\_\_\_\_

Quantity: \_\_\_\_\_

By: \_\_\_\_\_

Drawn by: Eric Barger

Date: 8.072024

**Specifications**

Concrete: 5,000 psi minimum 28 day compressive strength

**BARGER  
PRECAST**

P.O. Box 370 - Kingston TN 37763  
Phone 888.882.5860 - BargerPrecast.com

**Barger Bin Block  
3' x 2' x 2'**