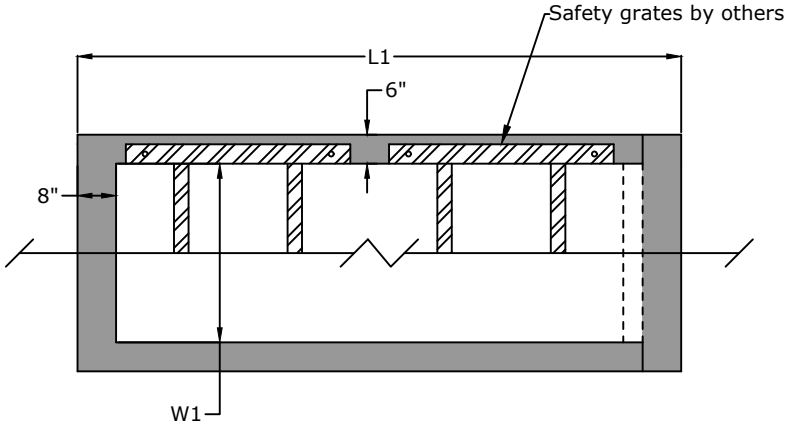
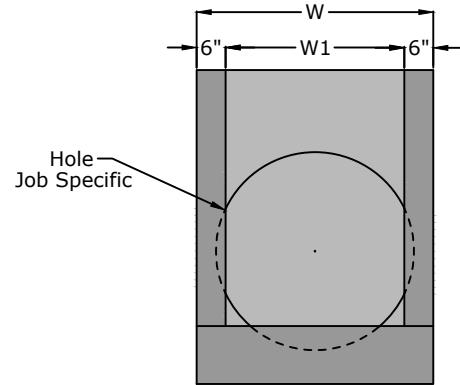


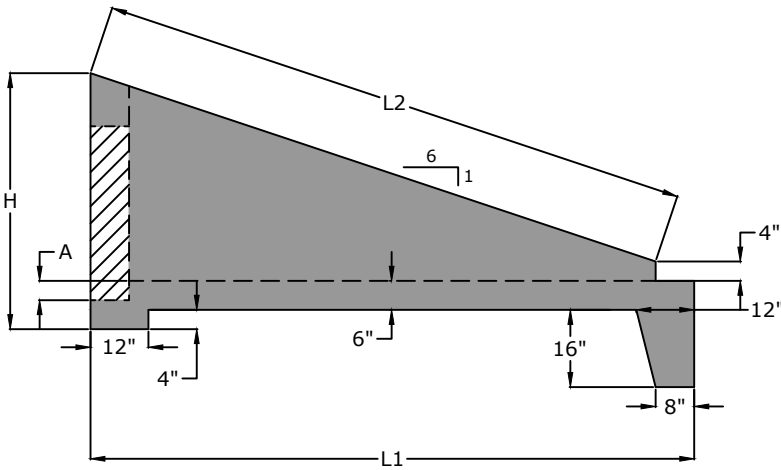
Top View



Front View



Side View



Dimensions (inches)

Pipe Culv. Dia.	H	L1	L2	W	W1	Wt. (lb.)
24"	45"	194"	188.6"	42"	30"	8,880

Hole Diameter	
Dimension "A"	
Pipe Size	

**Approved for Production**

Project: \_\_\_\_\_

Date: \_\_\_\_\_

Quantity: \_\_\_\_\_

By: \_\_\_\_\_

Drawn by: Eric Barger

Date: 8.072024

**Specifications**

**Concrete:** 5,000 psi minimum strength (28 day)

**Reinforcement:** #4 rebar, Grade 60 per TDOT Standard D-PE-6B

**BARGER  
PRECAST**

P.O. Box 370 - Kingston TN 37763  
Phone 888.882.5860 - BargerPrecast.com

**TDOT Type "U" Headwall  
6:1**