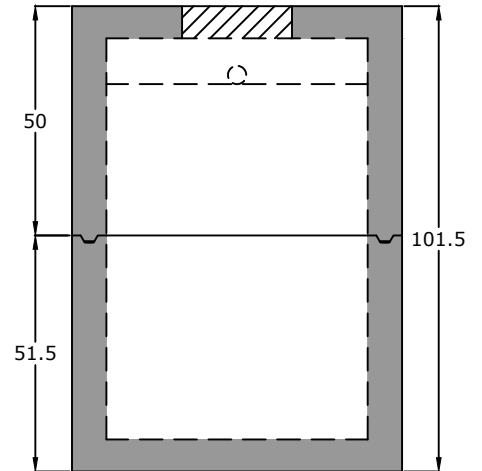


Top View

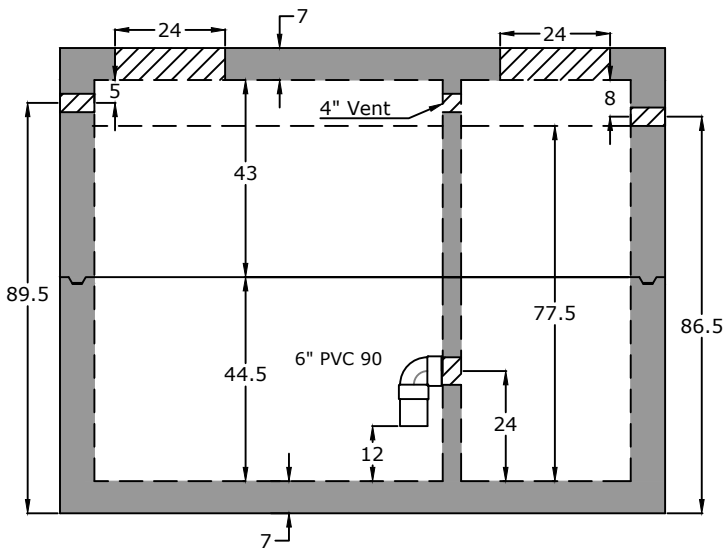
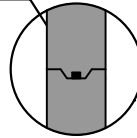


End View

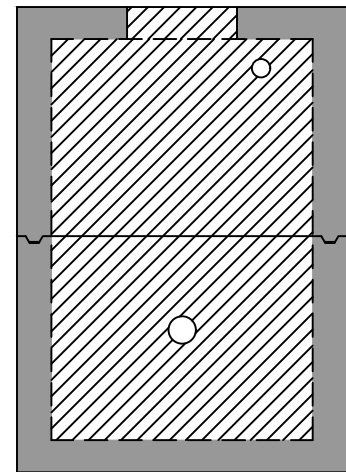
**Notes:**

- ASTM C 1613 Compliant
- HS20 Traffic Rated
- 4" Inlet/Outlet (Standard)
- 6" PVC 90 in Baffle Wall
- 2/3 - 1/3 Compartment Capacity

ASTM C 990 Butyl Sealant



Side View



Baffle View

**Specifications**

- Concrete:** 5,000 psi minimum strength (28 day)
- Reinforcing:** Primary reinforcement will be rebar.
- Risers:** Grade rings and manhole frames and covers sold separately.
- Sealant:** Sealant used in the seam of the tank will meet or exceed ASTM C990.
- Pipe Penetrations:** Inlet and outlets are fitted with seals that meet or exceed all ASTM C923 specifications.
- Partition Wall:** The partition wall, if present, is poured monolithically.
- Drawing:** All measurements are accurate within  $\pm 1$  inch.

**Tank Warranty:** See Terms and Conditions.

**Centroid(s):** Lid (67, 36), Base (67, 36)

**BARGER  
PRECAST**

**Weights**

Top - 16,646 lb  
Bottom - 17,589 lb

**Anti-Float Protection**

3" of water

**Installation:** The tank hole is not to be more than 18 in. longer and wider than the tank. There shall be a minimum of 6" of 3/4" stone bedding. This tank is designed for HS20 traffic loads and with a max backfill cover of 8' and a minimum of 6'.

**2,500 Gallon HS20 Grease Trap  
Kingsport, TN**

P.O. Box 370 - Kingston TN 37763  
Phone 888.882.5860 - BargerPrecast.com

Date: 2.162017

Drawn By: Eric Barger

Updated: 7.252024