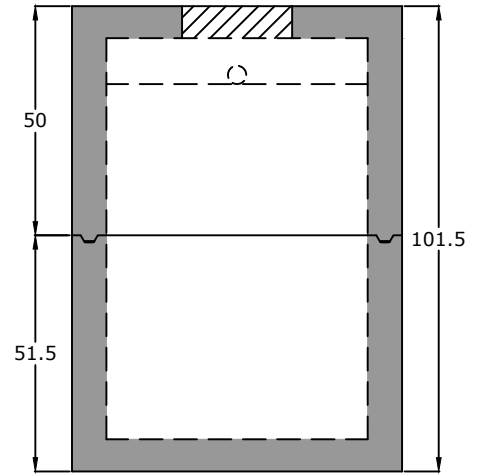


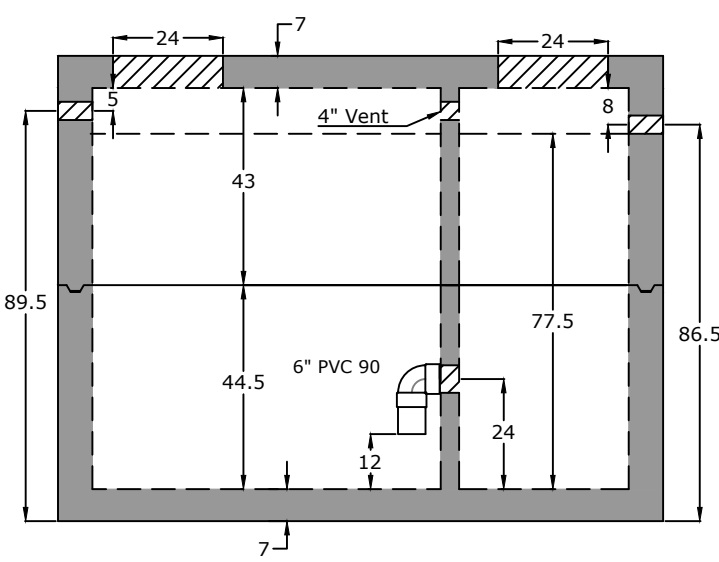
Top View



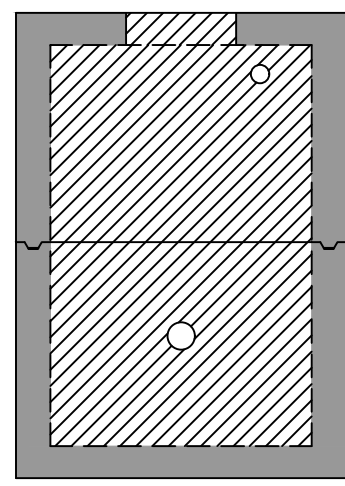
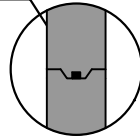
End View

Notes:
 ASTM C 1613 Compliant
 HS20 Traffic Rated
 4" Inlet/Outlet (Standard)
 6" PVC 90 in Baffle Wall
 2/3 - 1/3 Compartment Capacity

ASTM C 990 Butyl Sealant



Side View



Baffle View

Specifications

Concrete: 5,000 psi minimum strength (28 day)
Reinforcing: Primary reinforcement will be rebar.
Risers: Grade rings and manhole frames and covers sold separately.
Sealant: Sealant used in the seam of the tank will meet or exceed ASTM C990.
Pipe Penetrations: Inlet and outlets are fitted with seals that meet or exceed all ASTM C923 specifications.
Partition Wall: The partition wall, if present, is poured monolithically.
Drawing: All measurements are accurate within ± 1 inch.

Tank Warranty: See Terms and Conditions.

Centroid(s): Lid (67, 36), Base (67, 36)



P.O. Box 370 - Kingston TN 37763
 Phone 888.882.5860 - BargerPrecast.com

Weights
 Top - 16,646 lb
 Bottom - 17,589 lb

Anti-Float Protection
 3" of water

Installation: The tank hole is not to be more than 18 in. longer and wider than the tank. There shall be a minimum of 6" of 3/4" stone bedding. This tank is designed for HS20 traffic loads and with a max backfill cover of 8" and a minimum of 6".

2,500 Gallon HS20 Grease Trap
LaFollette Utilities Board - LaFollette, TN

Date: 2.162017

Drawn By: Eric Barger

Updated: 7.292024