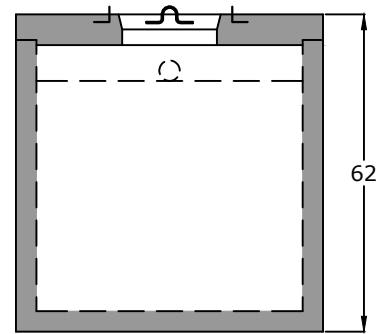


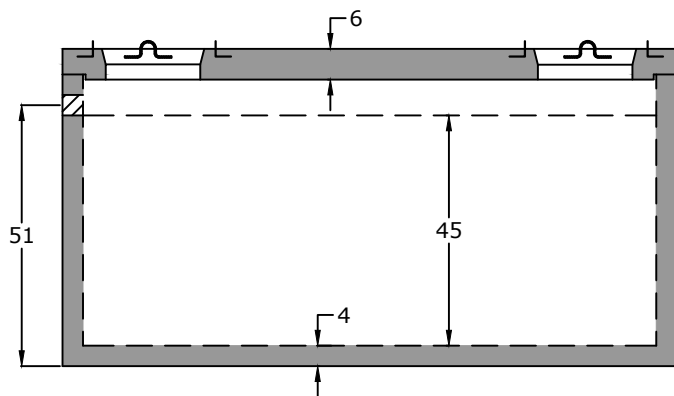
Top View



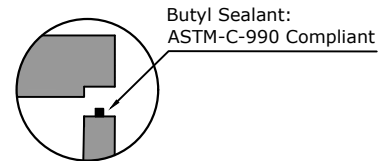
End View

Notes:

4" Inlet (Standard)



Side View



Specifications

Concrete: 5,000 psi minimum strength (28 day)
Reinforcing: Primary reinforcement will be rebar.
Risers: Grade rings and manhole frames and covers sold separately.
Sealant: Sealant used in the seam of the tank will meet or exceed ASTM C990.
Pipe Penetrations: Inlet and outlets are fitted with seals that meet or exceed all ASTM C923 specifications.
Partition Wall: The partition wall, if present, is poured monolithically.
Drawing: All measurements are accurate within ± 1 inch.

Tank Warranty: See Terms & Conditions.

Centroid(s): Lid (60, 30), Base (60, 30)

BARGER
PRECAST

Weights

Top - 3,306 lb
 Bottom - 8,858 lb

Anti-Float Protection

19" of water

Installation: The tank hole is not to be more than 18 in. longer and wider than the tank. There shall be a minimum of 6" of 3/4" stone bedding. Do not install across path of vehicles or heavy equipment. This tank is designed for one hundred fifty pounds per square foot (150 lb/ft²) uniform loading on the top of the tank with a max backfill cover of 36" and a minimum of 6".

1,000 Gallon Pump Tank

P.O. Box 370 - Kingston TN 37763
 Phone 888.882.5860 - BargerPrecast.com

Date: 2.162017

Drawn By: Eric Barger

Updated: 7.222024