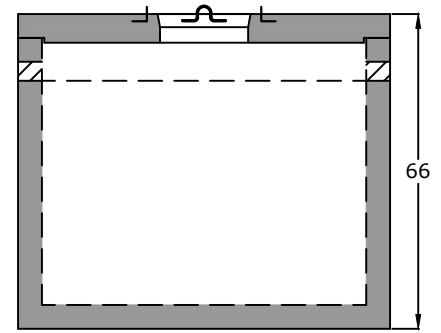


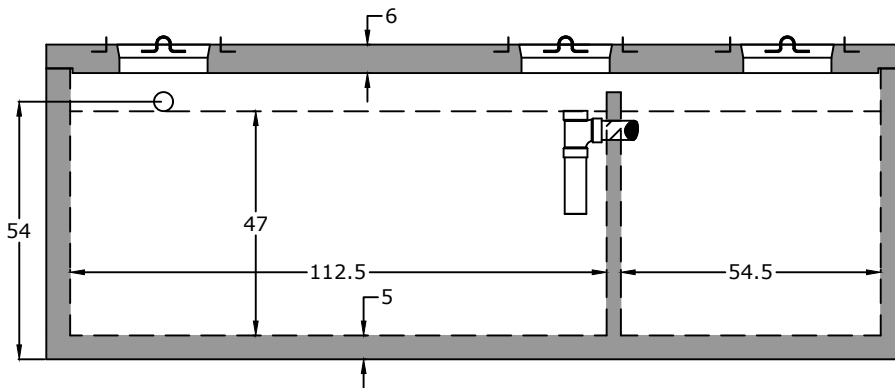
Top View

**Notes**

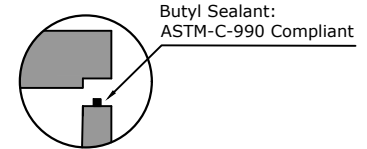
- 4" Inlet (Standard)
- 2/3 - 1/3 Compartment Capacity



End View



Side View



**Specifications**

- Concrete:** 5,000 psi minimum strength (28 day)
- Reinforcing:** Primary reinforcement will be rebar.
- Risers:** Grade rings and manhole frames and covers sold separately.
- Sealant:** Sealant used in the seam of the tank will meet or exceed ASTM C990.
- Pipe Penetrations:** Inlet and outlets are fitted with seals that meet or exceed all ASTM C923 specifications.
- Partition Wall:** The partition wall, if present, is poured monolithically.
- Drawing:** All measurements are accurate within  $\pm 1$  inch.

**Tank Warranty:** See Terms & Conditions.

**Centroid(s):** Lid (90, 39), Base (90, 39)

**BARGER**  
**PRECAST**

**Weights**

- Top - 6,726 lb
- Bottom - 17,907 lb

**Anti-Float Protection**

22" of water

**Installation:** The tank hole is not to be more than 18 in. longer and wider than the tank. There shall be a minimum of 6" of 3/4" stone bedding. Do not install across path of vehicles or heavy equipment. This tank is designed for one hundred fifty pounds per square foot (150 lb/ft<sup>2</sup>) uniform loading on the top of the tank with a max backfill cover of 36" and a minimum of 6".

**2,100 Gallon Pump Tank**  
**Watts Bar LR**

P.O. Box 370 - Kingston TN 37763  
Phone 888.882.5860 - BargerPrecast.com

Date: 3.252013

Drawn By: Eric Barger

Updated: 7.312024