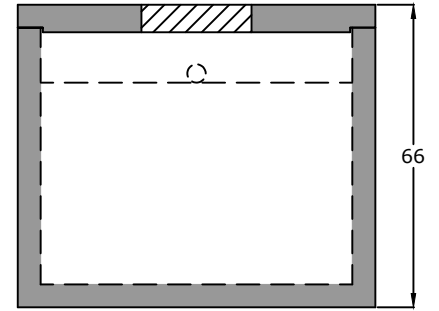


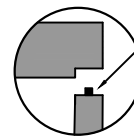
Top View



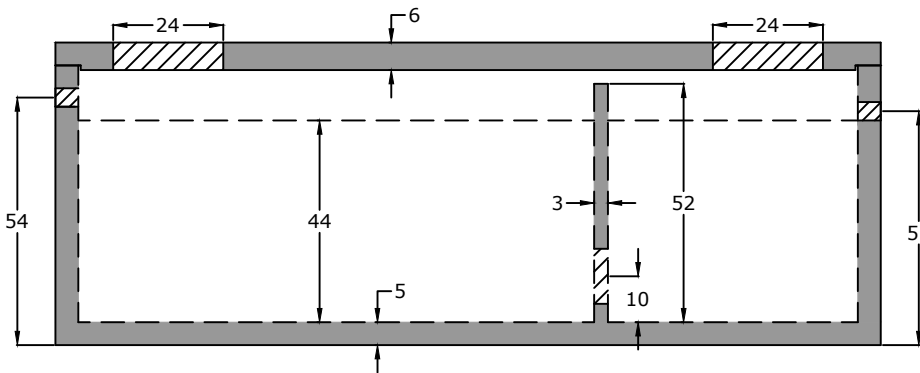
End View

Notes:

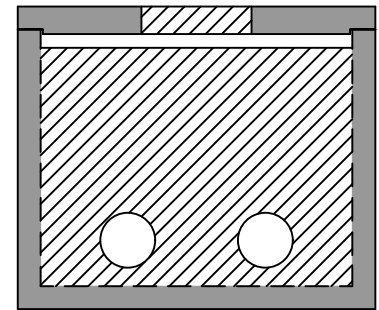
- ASTM C 1613 Compliant
- 4" Inlet/Outlet (Standard)
- 12" Holes in Baffle Wall
- 2/3 - 1/3 Compartment Capacity



Butyl Sealant:
ASTM-C-990 Compliant



Side View



Baffle View

Specifications

Concrete: 5,000 psi minimum strength (28 day)
Reinforcing: Primary reinforcement will be rebar.
Risers: Grade rings and manhole frames and covers sold separately.
Sealant: Sealant used in the seam of the tank will meet or exceed ASTM C990.
Pipe Penetrations: Inlet and outlets are fitted with seals that meet or exceed all ASTM C923 specifications.
Partition Wall: The partition wall, if present, is poured monolithically.
Drawing: All measurements are accurate within ± 1 inch.

Tank Warranty: See Terms & Conditions.

Centroid(s): Lid (90, 39), Base (91, 39)

**BARGER
PRECAST**

Weights
 Top - 6,538 lb
 Bottom - 18,816 lb
Anti-Float Protection
 20" of water

Installation: The tank hole is not to be more than 18 in. longer and wider than the tank. There shall be a minimum of 6" of 3/4" stone bedding. Do not install across path of vehicles or heavy equipment. This tank is designed for one hundred fifty pounds per square foot (150 lb/ft²) uniform loading on the top of the tank with a max backfill cover of 36" and a minimum of 6".

P.O. Box 370 - Kingston TN 37763
 Phone 888.882.5860 - BargerPrecast.com

**2,100 Gallon Grease Trap
 West Knox Utility District**

Date: 7.242017

Drawn By: Eric Barger

Updated: 7.242024