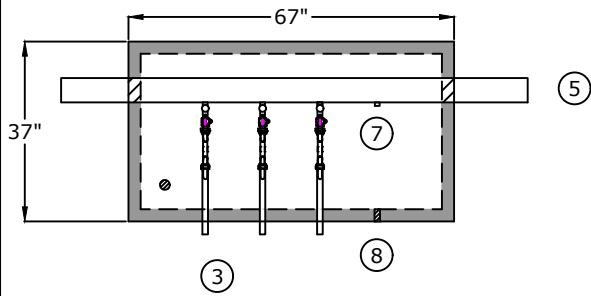
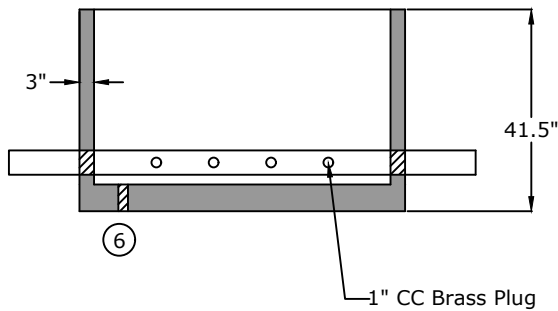


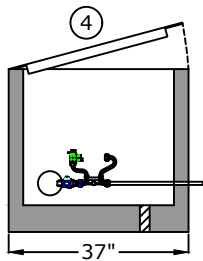
Top View



Side View

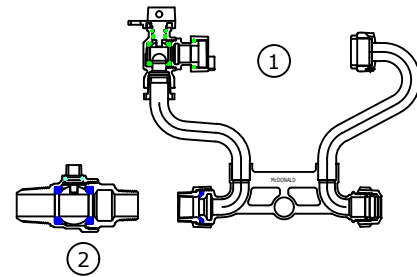


End View

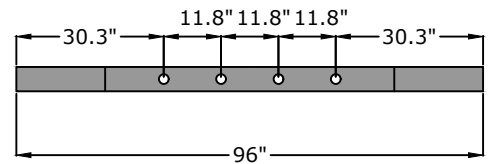


1. Meter Yoke
A.Y. McDonald 720-412
TMMD44
Full Port Ball Valve 360 Rotation
Full Port Angled Dual Check
2. Corporation Stop
A.Y. McDonald 7410BCAPF
3. 1" x 18" Brass Nipple
4. 29" x 59" opening single leaf aluminum door, pedestrian rated (300 lb/ft²) S1R029059B
5. 4" Class 56 D.I.P.
6. 2" drain hole
7. (1) 1" CC Brass Plug
8. Core Hole for 4th Services

Component Detail



Pipe detail for taps



Approved for Production

Project: _____ Date: _____

Quantity: _____ By: _____

BARGER PRECAST

Specifications

Concrete: 5,000 psi minimum strength (28 day)
Pipe Penetrations: All pipe penetrations are placed according to job requirements.
Pipe Stands: N/A
Sealant: N/A
Steps: N/A

3 Gang w/ Plug 1" Meter Vault Consolidated Utility District

C.R. Barger & Sons, Inc.
 P.O. Box 370 - Kingston TN 37763
 Phone 888.882.5860 - BargerAndSons.com

Date: 2.122025

Drawn By: Samantha Lowe

Approx. Empty Weight: 3,100 lbs.