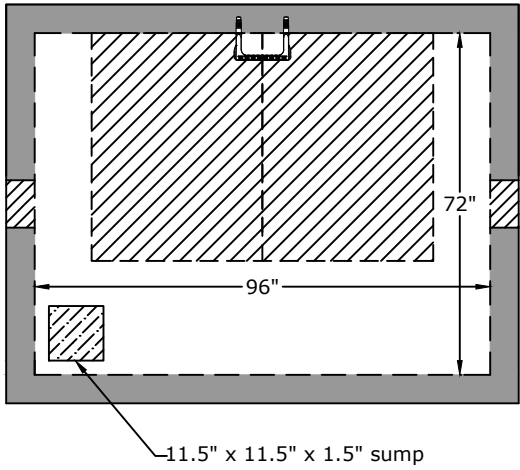


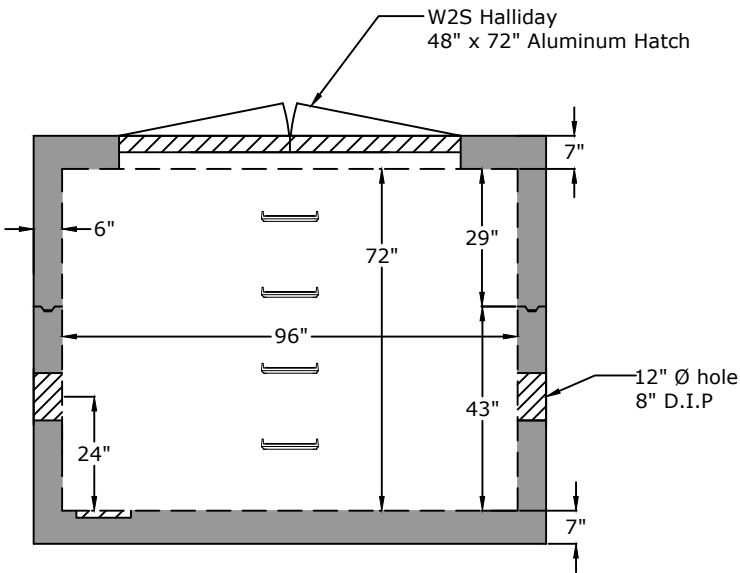
Top View



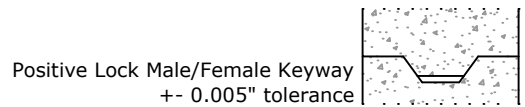
Notes

Top weight - 9,600 lb
 Bottom weight - 17,600 lb

Side View



Joint Detail



Approved for Production

Project: _____ Date: _____

Quantity: _____ By: _____

Drawn by: Samantha Lowe

Date: 10.182024

Concrete: 5,000 psi minimum strength (28 day)

Reinforcing: Primary reinforcement will be rebar (Grade 60) rebar.

Pipe Penetrations: All pipe penetrations are placed according to job requirements.

Sealant: Sealant used will meet or exceed ASTM C990.

Steps: If required, will be aligned under the hatch unless specified.

General: Meter vaults are not water tight structures unless specified by Barger Precast.

Tank Warranty: See Terms and Conditions.

**BARGER
 PRECAST**

P.O. Box 370 - Kingston TN 37763
 Phone 888.882.5860 - BargerPrecast.com

**8' x 6' x 72" - 6" Domestic Meter Vault
 City of Franklin**