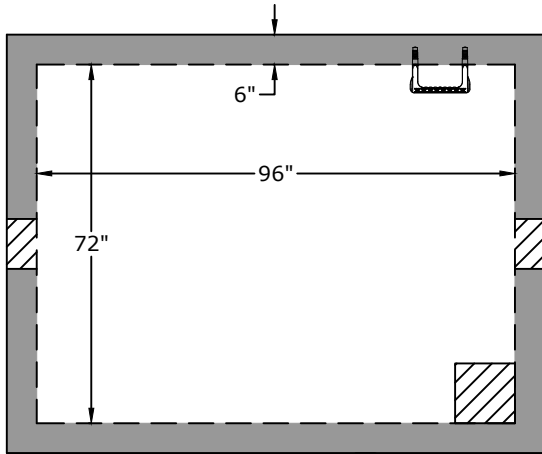


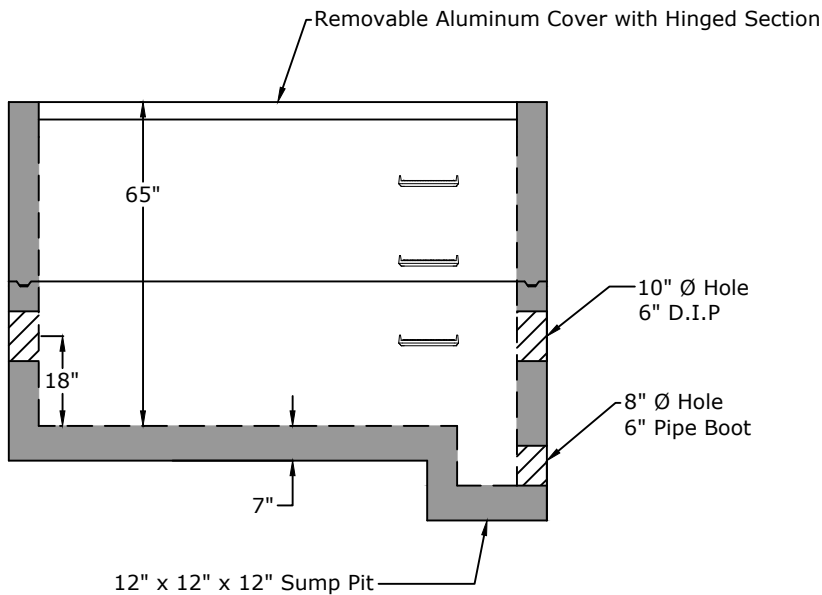
# Top View



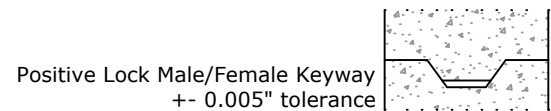
# Notes

Lid weight - 10,100 lb  
 Body weight - 28,000 lb

# Side View



### Joint Detail



## Approved for Production

Project: \_\_\_\_\_

Date: \_\_\_\_\_

Quantity: \_\_\_\_\_

By: \_\_\_\_\_

Drawn by: Samantha Lowe

Date: 2.12.2025

# BARGER PRECAST

**Concrete:** 5,000 psi minimum strength (28 day)  
**Reinforcing:** Primary reinforcement will be rebar (Grade 60) rebar.  
**Pipe Penetrations:** All pipe penetrations are placed according to job requirements.  
**Sealant:** Sealant used will meet or exceed ASTM C990.  
**Steps:** If required, will be aligned under the hatch unless specified.  
**General:** Meter vaults are not water tight structures unless specified by Barger Precast.  
**Tank Warranty:** See Terms and Conditions.

## 8' x 6' x 58" - 6" Fire Service Backflow Preventer Nashville Metro

P.O. Box 370 - Kingston TN 37763  
 Phone 888.882.5860 - BargerPrecast.com