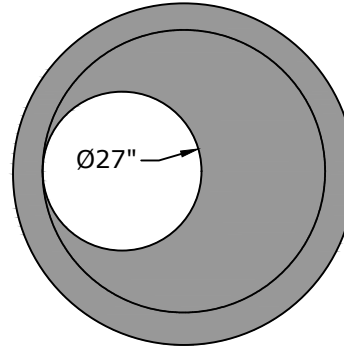
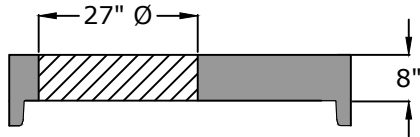


Side View

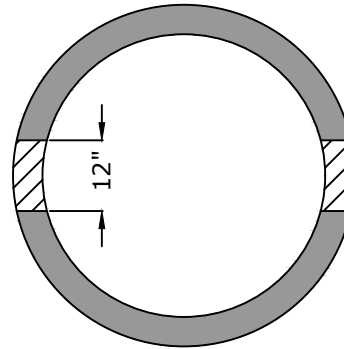
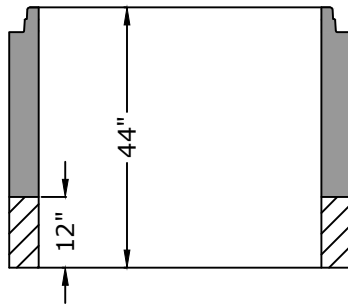
Top View

Flat Top

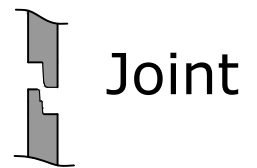


Flat Top
8" - 1,400 lb.

Riser



Riser Weight
44" - 3,100 lb.



Approved for Production

Project: _____

Date: _____

Quantity: _____

By: _____

Drawn by: Eric Barger

Date: 9.112025

**BARGER
PRECAST**

Specifications

Concrete: 4,500 psi minimum 28 day compressive strength

Reinforcing: Per ASTM C478 with design calculations performed by a Licensed P.E. Minimum 2" cover of all reinforcing steel.

Pipe Penetrations: All pipe penetrations are placed according to job requirements.

Pipe Seals: All pipe boots will meet ASTM C990.

Sealant: Sealant used will meet ASTM C923.

Steps: On 16" centers unless otherwise specified.

Preformed Invert: As required by plans or governing specifications.

**48" ID Air Release
(Flat Top)**

P.O. Box 370 - Kingston TN 37763
Phone 888.882.5860 - BargerPrecast.com