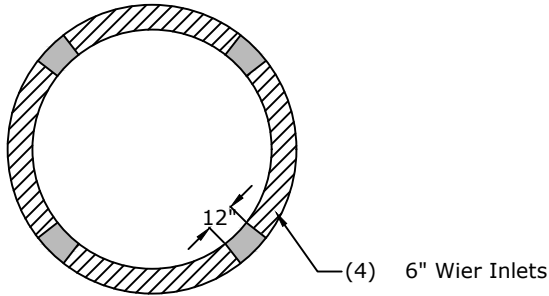
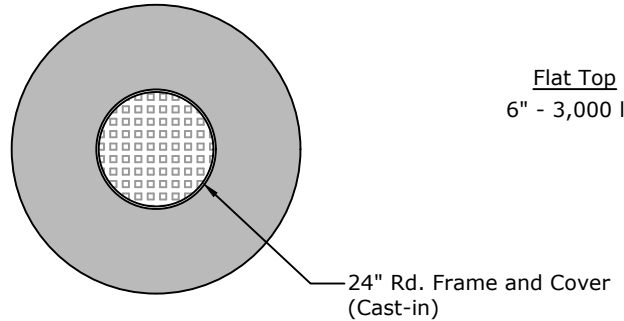
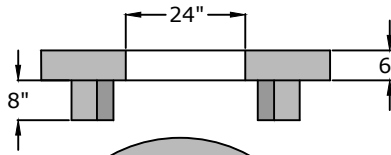


Top View

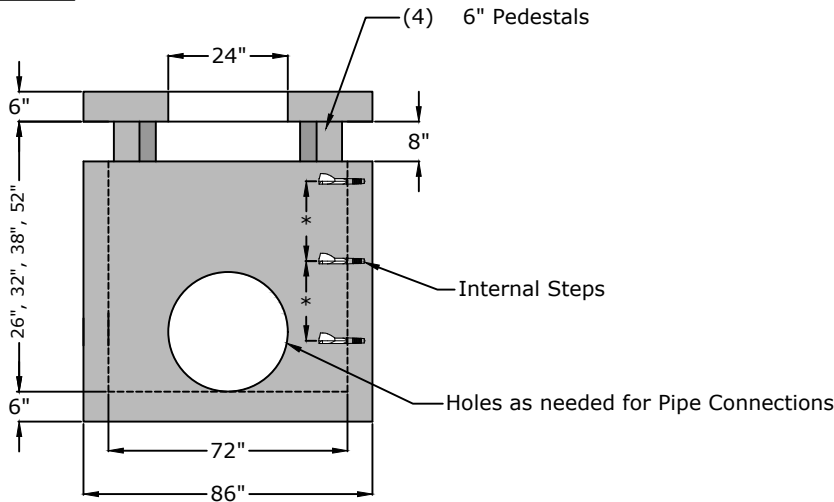


Flat Top



Flat Top  
6" - 3,000 lb.

Side View



Monolithic base

**Approved for Production**

**Project:** \_\_\_\_\_

**Date:** \_\_\_\_\_

**Quantity:** \_\_\_\_\_

**By:** \_\_\_\_\_

**Drawn by:** Eric Barger

**Date:** 11.18.2025

**Concrete:** 4,500 psi minimum 28 day compressive strength  
**Reinforcing:** Per ASTM C478 with design calculations performed by a Licensed P.E. Minimum 2" cover of all reinforcing steel.  
**Pipe Penetrations:** All pipe penetrations are placed according to job requirements.  
**Pipe Sealant:** Pipes to be sealed into structure with grout.  
**Sealant:** Sealant used will meet ASTM C923.  
**Steps:** On 16" centers unless otherwise specified.

**BARGER**  
**PRECAST**

P.O. Box 370 - Kingston TN 37763  
 Phone 888.882.5860 - BargerPrecast.com

**72" I.D. Drop Inlet**  
**ASTM C-478 Compliant**