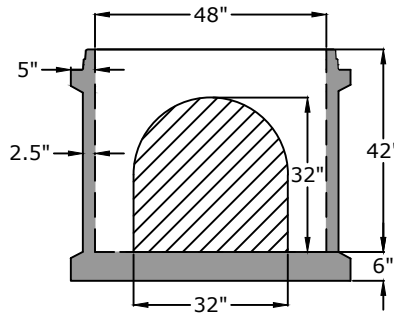
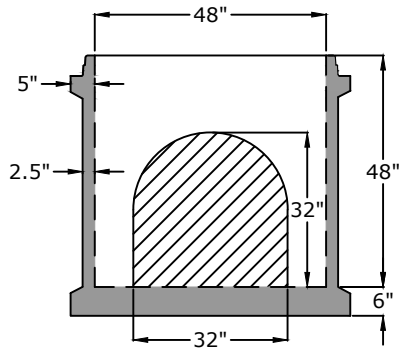


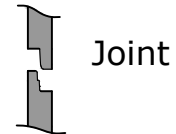
## Base



## Notes

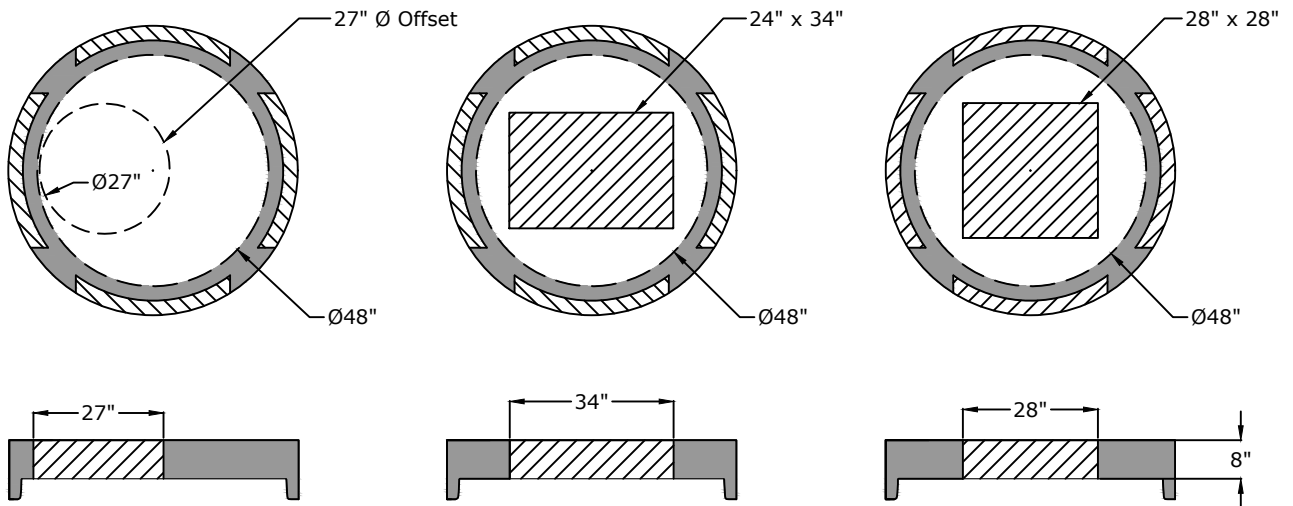
Base Weight:  
 42" Tall Base: 3,145 lb  
 48" Tall Base: 3,579 lb  
 Flat Top Weight: 1,850 lb

Flat Top Openings:  
 27" Ø Offset  
 24" x 34" Centered  
 28" x 28" Centered



Joint

## Flat Top



### Approved for Production

Project: \_\_\_\_\_

Date: \_\_\_\_\_

Quantity: \_\_\_\_\_

By: \_\_\_\_\_

Drawn by: Samantha Mills

Date: 2.232026

**Concrete:** 5,000 psi minimum strength (28 day)  
**Reinforcing:** ASTM C 913 Latest Edition  
**Sealant:** Sealant used will meet or exceed ASTM C990.  
**Lifting:** Lifters in floor of box  
**Panels:** Knock-Out Panel(s) shall be completely filled with non-shrink grout (4,000 psi)  
**Invert:** No Invert  
**Max Fill:** Max fill over top of concrete flat top = 2'-0"  
**Pipe Size:** Max pipe size for Knockout = 24" RCP

# BARGER PRECAST

P.O. Box 370 - Kingston TN 37763  
 Phone 888.882.5860 - BargerPrecast.com

## 48" Ø Base with Knockouts