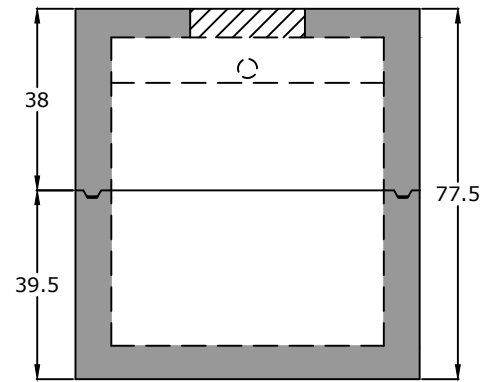


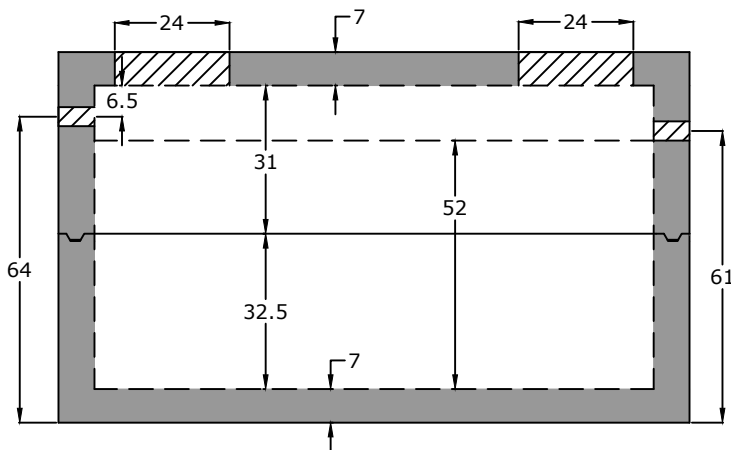
Top View



End View

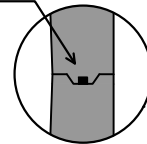
Notes:

HS20 Traffic Rated
4" Inlet (Standard)



Side View

ASTM C 990 Butyl Sealant



Specifications

Concrete: 5,000 psi minimum strength (28 day)
Reinforcing: Primary reinforcement will be rebar.
Risers: Grade rings and manhole frames and covers sold separately.
Sealant: Sealant used in the seam of the tank will meet or exceed ASTM C990.
Pipe Penetrations: Inlet and outlets are fitted with seals that meet or exceed all ASTM C923 specifications.
Partition Wall: The partition wall, if present, is poured monolithically.
Drawing: All measurements are accurate within ± 1 inch.

Tank Warranty: See Terms & Conditions.

Centroid(s): Lid (66, 36), Base (66, 36)

BARGER
PRECAST

P.O. Box 370 - Kingston TN 37763
Phone 888.882.5860 - BargerPrecast.com

Weights

Top - 12,903 lb
Bottom - 13,589 lb

Anti-Float Protection

1" of water

Installation: The tank hole is not to be more than 18 in. longer and wider than the tank. There shall be a minimum of 6" of 3/4" stone bedding. This tank is designed for HS20 traffic loads and with a max backfill cover of 8' and a minimum of 6".

1,500 Gallon HS20 Pump Tank

Date: 5.102010

Drawn By: Samantha Mills

Updated: 2.022026