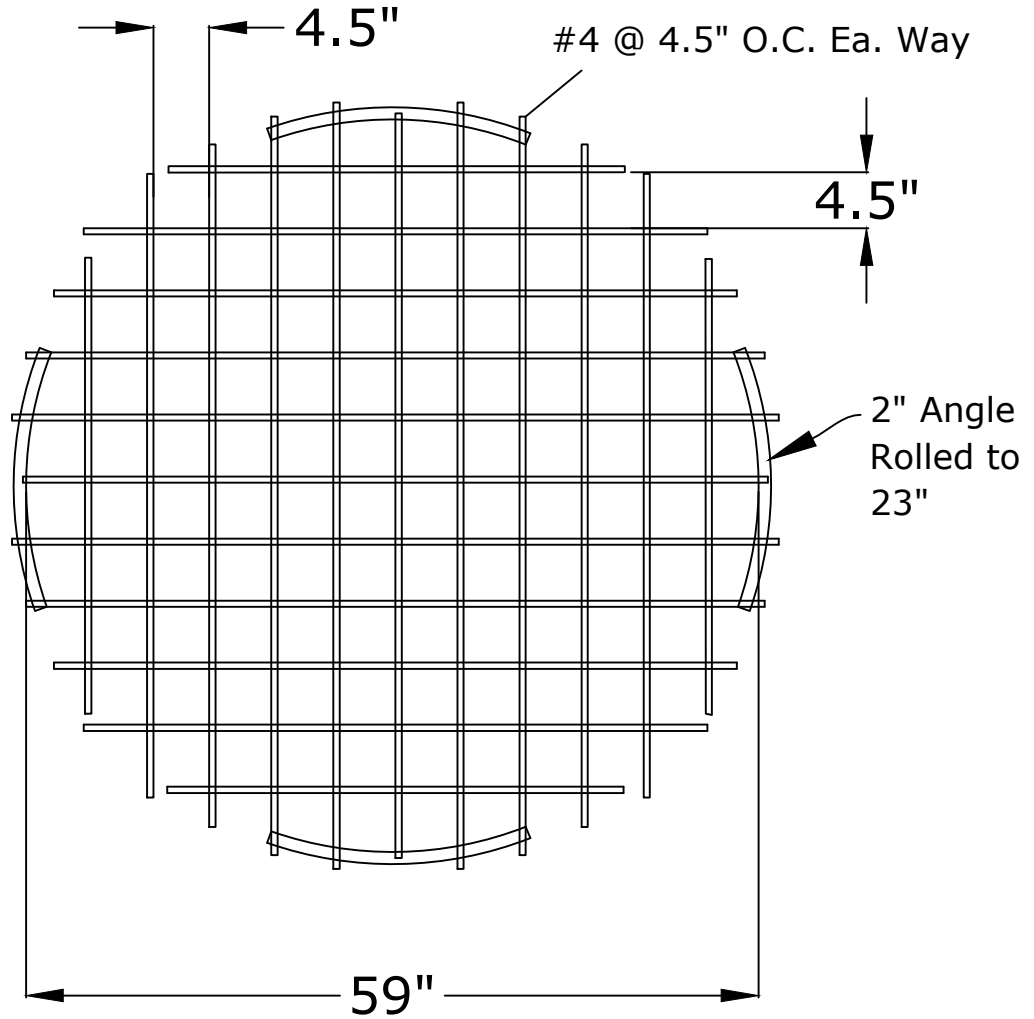
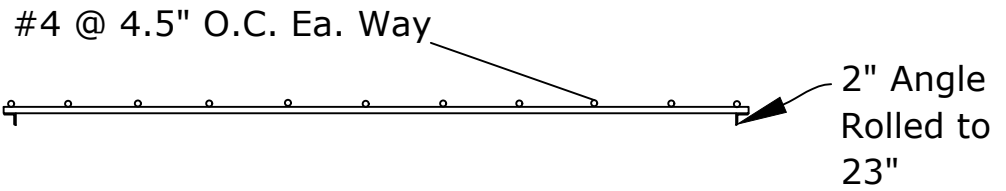


Top View



Side View



Approved for Production

Project: 60" Diameter Trash Rack

Date: _____

Quantity: _____

By: _____

**BARGER
PRECAST**

Specifications

**60" Diameter
Trash Rack**

C.R. Barger & Sons, Inc.
P.O. Box 370 - Kingston TN 37763
Phone 888.882.5860 - BargerAndSons.com

Date: 4.132026

Drawn By: S. Bean

Updated: _____